



PASVE® is a ball-type mounting & service valve for SATRON VG and HG type level and pressure transmitters. **PASVE®** makes it simple to disconnect the transmitter from the process for maintenance and cleaning, without stopping the process or draining the tank.

PASVE® is available in a manually operated type or equipped with a pneumatic actuator.

TECHNICAL SPECIFICATIONS

Transmitter connection

G1 female, seat accepts SATRON VG-transmitters.

Max. operating pressure/temperature

Pressure 40 bar, temperature 250 °C, (see the appended table).

Min. operating temp. -50 °C.

PVDF: See the appended table.

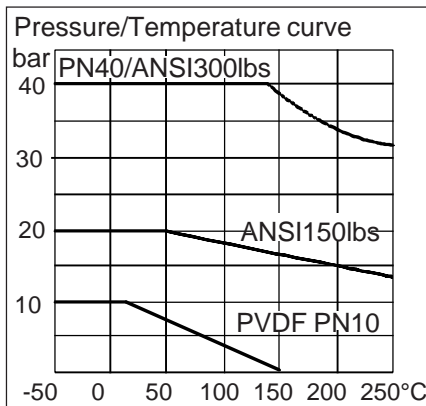
Materials

Wetted parts: AISI316L, AISI904L, Duplex, Hastelloy C276, Titanium, for **F** type also PVDF. Seals PTFE or PTFE with carbon and graphite filling.

Weight

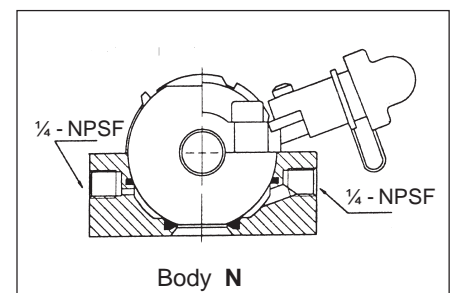
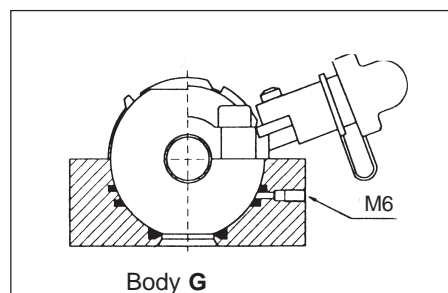
PASVE GC 4.3 kg, PASVE GP 4.2 kg,

PASVE GF 8.4 kg, Actuator 5.5 kg

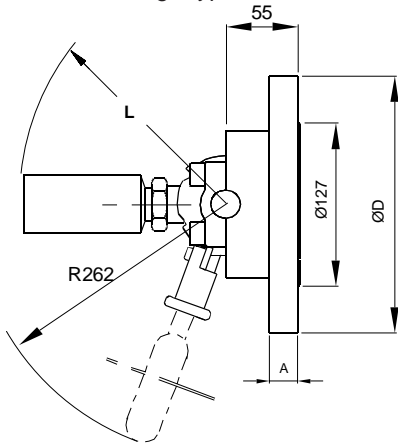
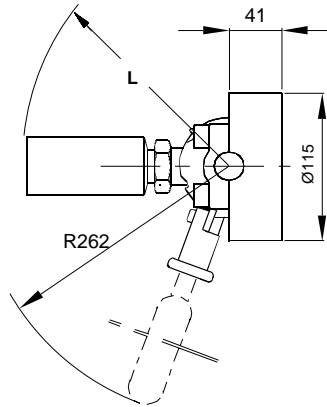
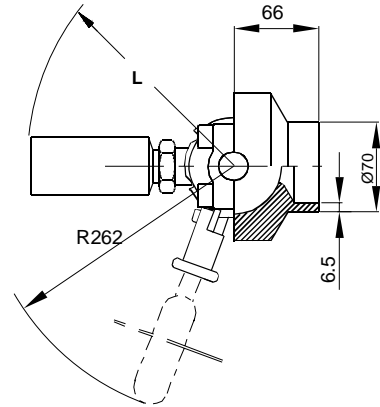


Selection table

PASVE	<input type="checkbox"/>	<input type="checkbox"/>	<input type="checkbox"/>	<input type="checkbox"/>	<input type="checkbox"/>	<input type="checkbox"/>	<input type="checkbox"/>	<input type="checkbox"/>	<input type="checkbox"/>	<input type="checkbox"/>	<input type="checkbox"/>	
Body												
G Standard model (with 3 seals)												
N Flushing (with 2 seals)												
Mounting												
	Wetted parts (C and P)											
	Code	Material										
C On container	none	AISI316L (std.)										
P On pipe	3	Hastelloy C										
	4	AISI904L										
	6	Titanium										
	8	Duplex										
F On flange												
Flanges	Wetted parts											
	Code	Material										
T	DN50 PN40	2 AISI316L										
	(only manual)	3 Hastelloy®C276										
D	DN80 PN40	4 AISI904L										
J	DN100 PN10/16	6 Titanium										
C	DN100 PN40	8 Duplex (Wnr. 1.4462)										
A	ANSI 3"/150 lbs	P1 PVDF PN10										
B	ANSI 3"/300 lbs	(P1 only for flange codes D,A,E)										
H	ANSI 4"/150 lbs											
G	ANSI 4"/300 lbs											
Seals												
0	PTFE + 20C + 5Gr (std.)											
1	PTFE 100%											
4	PTFE + 20C + 5Gr / AISI316 / PTFE 50 % (Hard)											
5	PTFE 100% / AISI316 / PTFE 50% (Hard)											
6	PTFE 100% / PVDF 100% (Hard)											
Pt100 temperature sensor (Only with body code N)												
0	No sensor											
X	With sensor (measuring range: -50...+200 °C)											
Actuator												
MD	No actuator (manually operated)		AE1	Electric actuator 230 V								
AD	Double-action actuator		AE3	Electric actuator 115 V								
AS	Spring-return actuator											
Solenoid valve type (for codes AD and AS only)												
0	No solenoid valve										4	28 V DC 0.4 W (only EEx ia)
1	230 V AC 50 Hz 2 W (std.)											
2	24 V DC 2.5 W (also EEx dm)											
3	115 V AC 60 Hz 2 W											
Solenoid explosion proof												
0	No explosion proof										3	EEx dm IIC T5/T6
1	EEx m II T4											
2	EEx ia IIC T6											
Position switches												
0	None										A	Position switch EEx ib IIC T5/T6
X	Equipped with position switches											
E	Position switch NAMUR, DIN 19234											
Options												
Z1	For oxygen use										Z4	Cutting ball
Z2	Process side flushing										Z5	Diamond-coated ball
Documentation												
IE	English										IF	Finnish
Material certificates												
0	No material certificate										MC2	SFS-EN 10204-2.2 (DIN50049-2.2)
MC1	SFS-EN 10204-2.1 (DIN50049-2.1)										MC3	SFS-EN 10204-3.1B (DIN50049-3.1B)
Specification example: PASVE G FD2 0 0 AD10 X IE MC1												



Dimensions (mm)
Manually operated

 PASVE GF-(a)
 NF-(a)
 Flange type

 PASVE GC
 NC
 Welded on container

 PASVE GP
 NP
 Welded on pipe


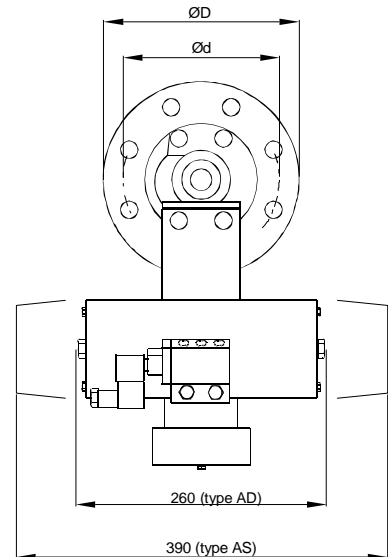
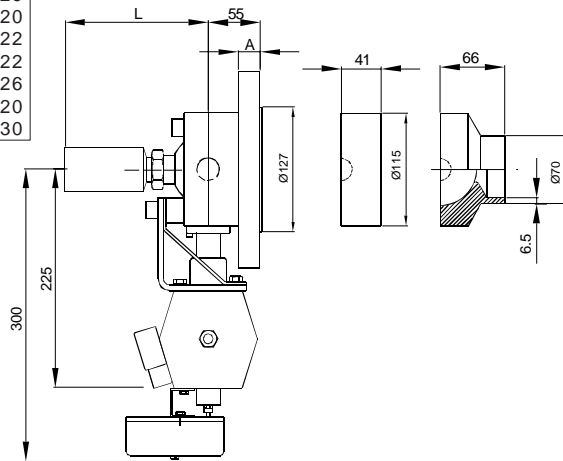
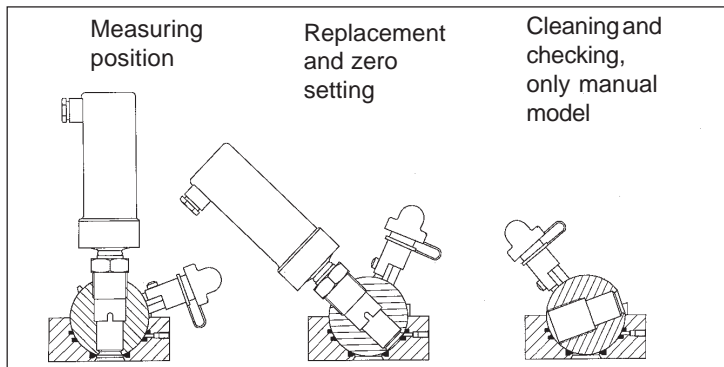
GF-(a)

FLANGE		ØD	Ød	A
Code	Type			
A	ANSI 3" 150 lbs	191	152.4	22
B	ANSI 3" 300 lbs	210	168.3	27
H	ANSI 4" 150 lbs	229	190.5	26
G	ANSI 4" 300 lbs	254	200	29
T	DN50 PN40	165	125	20
D	DN80 PN40	200	160	22
J	DN100 PN10/16	220	180	22
C	DN100 PN40	235	190	26
E	JIS10K 80	185	150	20
F	JIS40K 80	210	170	30

With pneumatic actuator

 PASVE GF-(a)
 NF-(a)

 PASVE GC
 NC

 PASVE GP
 NP

OPERATING POSITIONS

Surface temperature

Ambient temperature °C	Temperature class
70	T6
85	T5
120	T4

European Directive Information

ATEX directive (94/9/EC)

Satron Instruments Inc. complies with the ATEX directive.

European Pressure Equipment Directive (PED) (97/23/EC)

- Sound Engineering Practice

We reserve the right for technical modifications without prior notice.

 Teflon® is the registered trademark
 of E.I. du Pont de Nemours & Co

 Hastelloy® is the registered trademark
 of Haynes International.

European Certification


Pasve® is the registered trademark of Satron Instruments Inc.